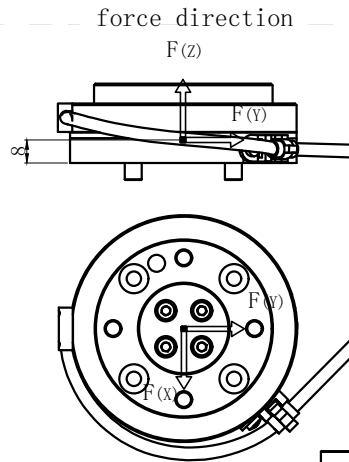


Technique Specifications

Zero Balance	$\pm 5\%$ F. S.
Non-Linearity	$\leq \pm 0.5\%$ F. S.
Hysteresis	$\leq \pm 0.5\%$ F. S.
Repeatability	$\leq \pm 0.1\%$ F. S.
Insulation	≥ 2000 M Ω
Compensated Temp. Range	- 10 ~ 40 $^\circ$ C
Operation Temp Range	- 20 ~ 80 $^\circ$ C
Safe Overload	150 % F. S.
Crosstalk error	3 % F. S.
Protection class	IP65
Cable Size	$\phi 4$ long 0.5m



M8-Female plug pin			
PIN1	RS485 A+	PIN2	RS485 B-
PIN5	24V+	PIN8	GND

Capacity	output signal
Fx: 200N	RS485 1#
Fy: 200N	RS485 2#
Fz: 200N	RS485 3#
Mx: 10N.m	RS485 4#
My: 10N.m	RS485 5#
Mz: 10N.m	RS485 6#

X-6A-XD80-H32-J-200N-10N.m-F (RS485) Force/Torque Sensor A1-01					 深圳市鑫精诚传感技术有限公司 SHENZHEN XJSENSOR TECHNOLOGY CO.,LTD. Tel: +86(755) 85232302 www.xjsensor.cn	
材料	stainless steel	比例	重量	图纸编号		
设计		1:1		XJSENSOR/WI-YF-B-0-002	ISO 8015 ISO 13715 	
校对		未注公差	0.5 ... 6	>6 ... 30		
审核		ISO 2768-mK	>30 ... 120	>120 ... 400		