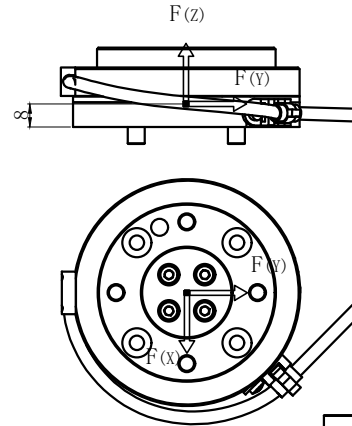


Load direction



Wiring name			
red	24V+	black	GND
green	RS485 A	white	RS485 B
yellow	Shielded		

Cap(F. S)	output
Fx: 2000N	RS485 1#
Fy: 2000N	RS485 2#
Fz: 2000N	RS485 3#
Mx: 50N. m	RS485 4#
My: 50N. m	RS485 5#
Mz: 50N. m	RS485 6#

Technical	Specification
Non-Linearity	$\leq \pm 0.5\%$ F. S.
Hysteresis	$\leq \pm 0.5\%$ F. S.
Repeatability	$\leq \pm 0.1\%$ F. S.
Zero Balance	$\pm 5\%$ F. S.
Operation Temp Range	$-20 \sim 80^\circ\text{C}$
Compensated Temp. Range	$-10 \sim 80^\circ\text{C}$
Insulation	$\geq 2000\text{M}\Omega$
Safe Overload	300 % F. S.
Crosstalk error	3 % F. S.
Protection class	IP65
Cable Size	$\phi 4 \times 0.5$ m

X-6A-XD80-H32-J-2000N-50N. m-F(RS485) 6 axis load cell A1-01				XJSENSOR	
材料	Stainless steel	比例	重量	图纸编号	
设计		1:1		XJCSSENSOR/WI-YF-B-0-002	
校对		未注公差	0.5 ... 6	>6 ... 30	>30 ... 120
审核		ISO 2768-mK	$\pm 0.1$	$\pm 0.2$	$\pm 0.3$ $\pm 0.5$
				ISO 8015	ISO 13715


  
 深圳市鑫精诚传感技术有限公司
   
 SHENZHEN XJCSSENSOR TECHNOLOGY CO.,LTD.
   
 Tel: +86(755) 85232302
   
 www.xjcsensor.com