

PGS-5 Short Manual

Content

PGS-5 Short Manual	1
1 PGS-5 概述	1
1.1 安装尺寸	2
2 部件说明	3
2.1 控制盒	3
2.2 接线说明	4

1 Specifications

PGS-5 is a miniature electromagnetic gripper, and the number represents the maximum clamping force. It can only control the opening and closing, as shown in Figure 1.1. The specific parameters are shown in Table 1.1

表 1.1 PGS-5 specifications

PGS-5 specifications	
Gripping force (per jaw)	3.5-5 N
Opening/closing stroke (both sides)	4 mm
Opening/Closing time	0.03s/0.03 s
Weight	0.2 kg
Noise	< 50 dB
Noise emission	IP40
Communication protocols	I/O
Nominal voltage	24V DC±10%
Nominal current	0.1 A
Peak current	2.5 A



Figure 1.1 PGS-5

1.1 Dimension description

The dimension drawing of clamping claw body is shown in Figure 1.2, and the dimension drawing of control box is shown in Figure 1.3.

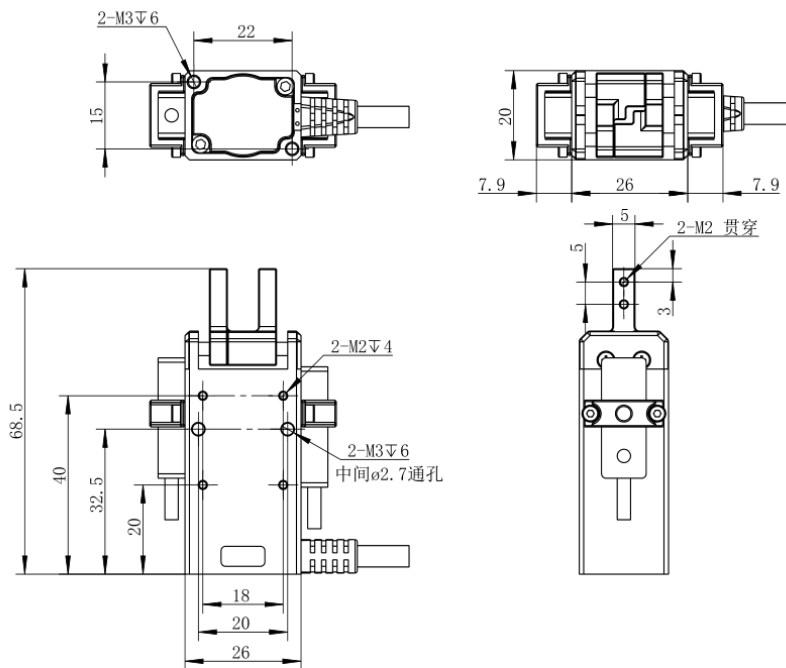


Figure 1.2 dimension diagram of electromagnetic gripper

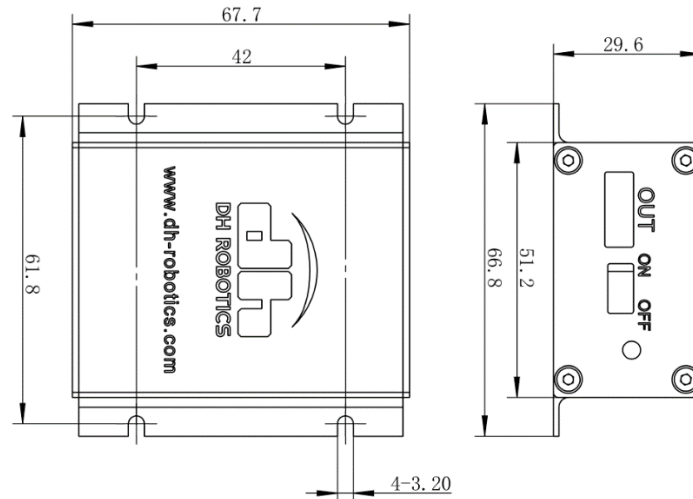


Figure 1.3 control box

2 Description of control box

2.1 control box

The clamping claw is equipped with a control box, which is mainly used to control the opening and closing of the electromagnetic claw. As shown in Figure 2.1:



图 2.1 控制器

Instructions

- **Indicator:** When the signal is given to the electromagnetic gripper, the indicator light will be on, but if the signal is not given, the indicator light will be off.
- **Dial switch:** manually control the opening and closing switch of electromagnetic gripper.
- **Gripper interface:** used to connect the cable of electromagnetic gripper.

Through the dialing control inside the control box, as shown in the red box in Figure 2.2 below. The IO input signal of gripper can be set to NPN or PNP.(Input 0V valid or 24V valid)

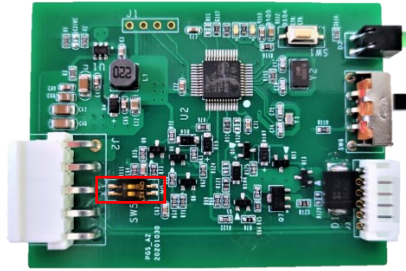


Figure 2.2 dial switch

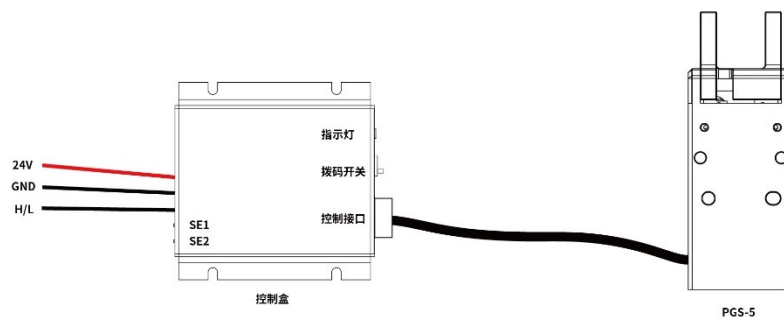
Please refer to the following to configure NPN or PNP, as shown in Table 2.1:

Table 2.1 corresponding IO signal table

	Dial 1 (up)	dial 2 (down)
0V valid	1(ON)	0(OFF)
24V valid	0(OFF)	1(ON)

2.2 Wiring instructions

Pgs-5 is controlled by IO, and the electromagnetic claw is directly connected with the control box. Three wires are led out from the control box, respectively, which are 24V, GND and h/l. Se 1 and se 2 currently have no outgoing lines, which can be used to expand the connection sensor of control box or not connect. Three wires are connected for control, respectively, 24V, GND and h/l. The specific connection is as follows:



Note

- When using the H / L pin to control the gripper, it is necessary to keep the dial switch in the closed position

The controller (PLC / controller) can control the opening and closing of the electromagnetic claw by outputting the voltage signal corresponding to h / L.